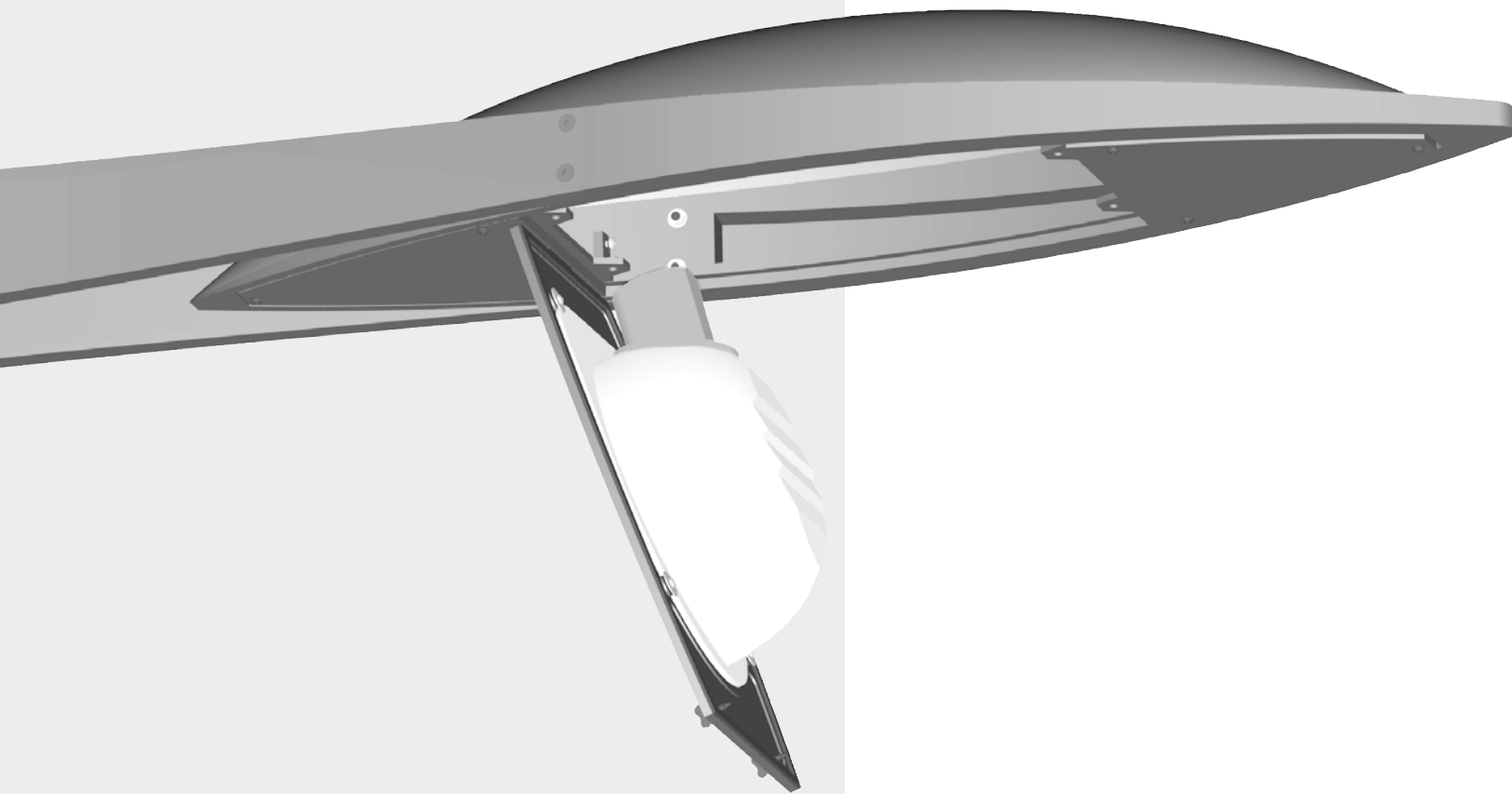


# America



## **Application**

A contemporary luminaire for lighting urban and suburban roadways.

## **Description**

The body of the luminaire comprises a canopy and a cast aluminium plate.

### **Optical system**

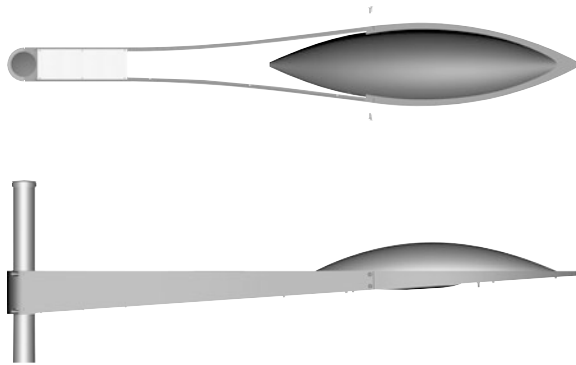
The optical unit is sealed. It comprises a reflector, a lamp holder housing and a curved glass bowl.

The optical unit is mounted on a cast aluminium plate. The reflector is a single piece hydro-formed brilliant, anodised aluminium. The bowl is in heat treated pressed glass.

The socket support housing enables the lamp to be adjusted horizontally.

## Mounting and installation

America mounting. Stainless steel screws.



## Maintenance

Tool-free access to the lamp.

### Opening and closing

This is performed using the 2 tool free quarter turn fasteners located on the plate supporting the optic unit. The plate is hinged and a foam gasket ensures a watertight joint between the bowl and upper canopy.

### Access to lamp and control gear

Direct access to lamp as soon as the plate has been lowered and the lamp holder housing opened. The electrical control gear is accessible after unscrewing and lowering the optic support plate. It is located on a control gear tray inside the fixed part of the plate. Electrical connection is via a quick connector with safety plug and socket fixing.

## Electrical and mechanical characteristics

IP rating (optic): IP 66

IP rating (luminaire): IP 54

Class I

Class II on request

Impact resistance: IK 08 (glass bowl)

SCx: 0,09 m<sup>2</sup> for luminaire only

Weight: 22 Kg with 250 W control gear.

## Finish

Body: polyester powder coating. Choice of RAL colours.  
For sand finish see Futura colour chart (Akzo Nobel).

## Nomenclature of luminaires

Luminaire – Wattage and lamp type – Electrical class

Example: AME – 150 W HPS – CI I

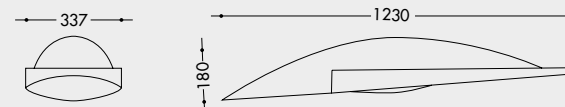
## Sources

### AMERICA

Lamp type	Wattage	Lamp holder
High Pressure Sodium clear tubular	70 W	E27
	100 W	E40
	150 W	E40
	250 W *	E40
Metal Halide clear tubular with ceramic burner	70 W	E27
	150 W	E40
	250 W*	E40
Metal Halide clear tubular	250 W *	E40
Metal Halide clear or diffuse elliptical	70 W	E27
	100 W	E27
	150 W	E27
Mercury Vapour diffuse elliptical	80 W	E27
	125 W	E27

\* Remote control gear for Class II

## Dimensions



## Photometrics

Polar curves and illuminance contours measured in Lux for a luminaire at +4° (America bracket elevation).

Height 6 m - 150 W HPS tubular lamp - 15000 lumens

