

# Flow

IP 65

IK 10

V0: 2mm  
(Fire resistance)



The Flow is the new standard for fluorescent underpass lighting. The modern streamlined shallow design, the standardised options and high quality build, guarantee an up to date and long lasting solution.

#### **Applications**

Consult pages 16-19

#### **Lamps**

Compact fluorescent  
up to 80W

Fluorescent tubular  
up to 58W (FD)  
up to 80W (FDH)



Flow

# Flow

- 1 **Housing** made of 3mm extruded aluminium (EN573-3, AlMg Si 0.5) with die-cast aluminium end caps (EN573-3, AlMg Si 0,5). Impact Resistance IK 10 (conforms to EN 50102).
- 2 **Cover** is hingable, 3.2mm high impact and UV-resistant clear polycarbonate, extruded cover with prisms. Fire Resistance V-0: 2mm (conforms to UL 94). Die-cast aluminium end caps (EN573-3, AlMg Si 0,5). Hinge side reversible without tools.
- 3 **Opening/closing** "click" position over the full length of the cover, locked with two stainless steel M6 bolts.
- 4 **Finish** polyester epoxy powder coating (65 µm). Standard colour RAL 9007 with high quality pre-treatment.
- 5 **Gasket** 6mm EPDM, providing reliable IP 65 enclosure (conforms to EN 60598).
- 6 **Gear** mounted direct onto the housing accessible after removal of the reflector plate.
- 7 **Gear** standard electronic for all fluorescent lamps.
- 8 **Optics** SRN for symmetrical aluminium reflector and ARN for asymmetrical aluminium reflector. Mounted with T-slot for easy removal.
- 9 **Thermofix**® for compact fluorescent lamps, for optimum temperature behaviour and shock absorbance of the lamps.
- 10 **Mounting** by four mounting slots for max. M10 for accurate positioning. The very low build makes the fitting suitable for low ceiling mounting.
- 11 **Cable entry** is possible at four positions, making the Flow suitable for throughwiring and "looping in looping out". Standard M20 gland for cable entry 6-12mm, accessible via break through holes. Also suitable for continuous line mounting (incl. throughwiring).
- 12 **Cable connection** 5 x 2,5mm<sup>2</sup> push in terminal block.



Quick release button lamp holder and gasket.



Thermofix®.

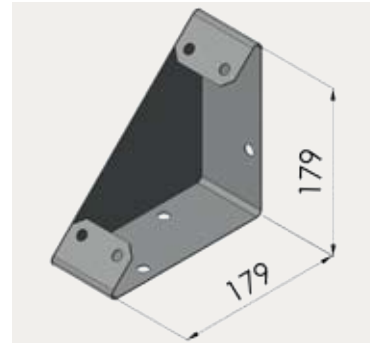
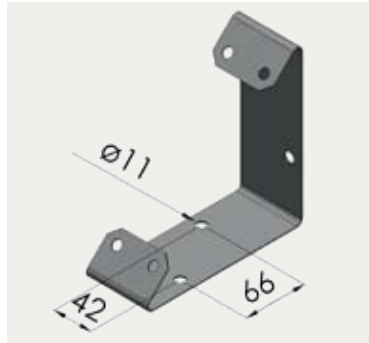


Gear and cable connection.

### CHARACTERISTICS

#### Mounting

Front access mounting. After opening the cover the Flow has consequently an invisible surface mounting and its shape is especially suitable for cornice mounting.



Brackets for cornice mounting (open and closed).

Different mounting possibilities.



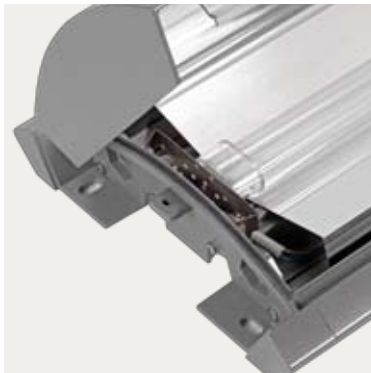
Ceiling.



Wall.



Cornice.



Mounting slots suitable for M10.



Cable entry possible in four positions by breakthrough holes.



Integrated cable trunk for an invisible cable entry at the backside.



Blank infill module for continuous line mounting.

# Flow

## CHARACTERISTICS

### Maintenance

Hinging cover with "click" position resulting in easy opening and closing of the luminaire.



Opening and closing hinge side reversible without tools.

Anti-tamper closing bolts.

### Designed to withstand rough environments



Anti graffiti treatment.



Lamp guard open (spiral).

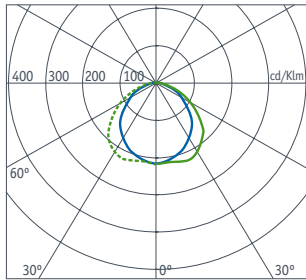


Lamp guard closed (spiral).

### OPTIONS

- Alternative cable entry positions & quantity
- Flying lead cable(s) pre-assembled
- Lamps supplied installed
- Other lamps on request
- Opaque lacquered cover
- Other RAL colours on request
- Brackets for 45° angle mounting (open bracket and closed bracket)
- Anti-tamper closing bolts
- Anti graffiti coating
- Lamp guards
- DIM versions
- Class II
- Emergency battery pack
- Toughened safety glass cover (not hingable)

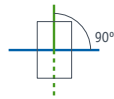
**Flow**



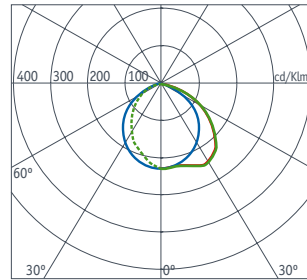
**Reflector**  
SRN/H

**Lamp**  
FSD-55

**Performance**  
ULOR: 1%  
DLOR: 66%



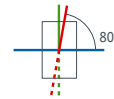
**Flow**



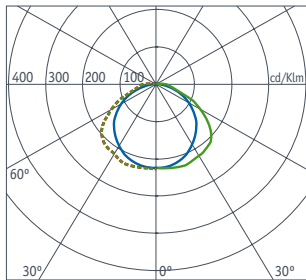
**Reflector**  
ARN/H

**Lamp**  
FSD-55

**Performance**  
ULOR: 1%  
DLOR: 63%



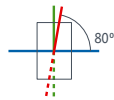
**Flow**



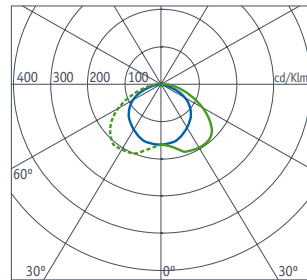
**Reflector**  
SRN

**Lamp**  
FD-58

**Performance**  
ULOR: 1%  
DLOR: 79%



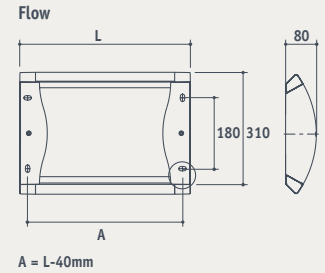
**Flow**



**Reflector**  
SRN

**Lamp**  
2FD-58

**Performance**  
ULOR: 1%  
DLOR: 69%



MODEL	TYPE	SHAPE	LAMP HOLDER	REFLECTOR		LENGTH	Kg
				SRN	ARN		
Flow	FSD-18		G11	•	•	360	5
	FSD-24		G11	•	•	455	5
	FSD-36		G11	•	•	550	6
	2FSD-36		G11	•	•	1007	10
	FSD-55		G11	•	•	675	7
	2FSD-55		G11	•	•	1257	12
	FSD-80		G11	•	•	705	7
	2FSD-80		G11	•	•	1317	13
	FD-18		G13	•	•	734	7
	2FD-18		G13	•	•	734	7
	FD-36		G13	•	•	1344	13
	2FD-36		G13	•	•	1344	13
	FD-58		G13	•	•	1644	13
	2FD-58		G13	•	•	1644	16
	FDH-49		G5	•	•	1644	16
	2FDH-49		G5	•	•	1644	16
	FDH-80		G5	•	•	1644	16
	2FDH-80		G5	•	•	1644	16

FSD (Compact fluorescent)  
FD (Fluorescent tubular)  
FDH (Fluorescent tubular)

Kg (Weight)

For more information about lamps, consult pages 386-389.