

# Century



## **Application**

Indirect amenity lighting for residential areas, pedestrian areas, squares and parks.

## **Description**

### **The luminaire body**

The body is made of cast aluminium and is in two parts. The upper section encloses the electrical control gear, upper reflector and is enclosed by a cover. The lower section is composed of a cover, base and encloses the optical system. Four arms form the link between the two parts.

### **Diffuser**

The diffuser is in UV resistant, injected polycarbonate. It is detailed on its inside and sealed to the cover of the lower section. A watertight EPDM gasket is placed between the base and the cover.

### **Optical system**

The optical system includes a reflector in pressed, brilliant and anodised aluminium fixed in such a way as to obtain two standard positions. Symmetrical light distribution (RS) and asymmetrical (RA); both factory set.

## **Maintenance**

### **Opening - closing**

Opening-closing of the luminaire is via two cover screws. This is a 2 step operation: undo then lower the cover. The cover remains open via a sliding arm. Opening angle is 40°. To open and close the lower section, there are 4 screws located on the cover.

### **Access to lamp and control gear**

Direct access to lamp via the lowering cover after opening. Access to the electrical gear requires the upper cover to be opened. It is located on a removable tray.

## Mounting and installation



S: top mounting  
dia. 34 gas thread (1 inch).



P: pole top mounting for spigot  
dia. 60 mm, depth 100 mm.  
Stainless steel screws

## Electrical and mechanical characteristics

IP rating (optic): IP 66

IP rating (luminaire): IP 44

Class I

Class II on request

Impact resistance: IK 08 (diffuser)

SCx: 0,13 m<sup>2</sup>

Weight: 20 kg with 150 W control gear.

## Finish

Body : polyester powder coating. Choice of RAL colours.

Sand colour: see Futura colour chart (Akzo Nobel).

Upper reflector: RAL 9010 (mat white)

Diffuser MI, PC: translucent finish.

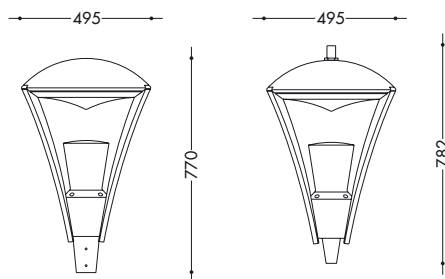
Diffuser: clear, structured.

## Nomenclature of luminaires

Luminaire – Mounting – Optic distribution – Wattage and lamp type –  
Electrical class

Example: CEN – S – RS – 70 W MH – CI I

## Dimensions



## Sources

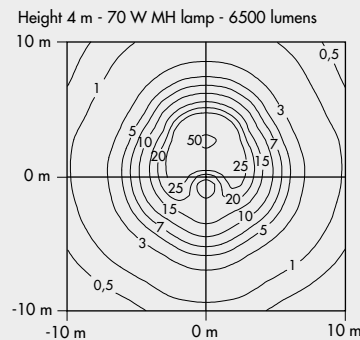
### CENTURY

Lamp type	Wattage	Lamp holder
Metal Halide clear tubular with ceramic burner	70 W	G12
	150 W	G12

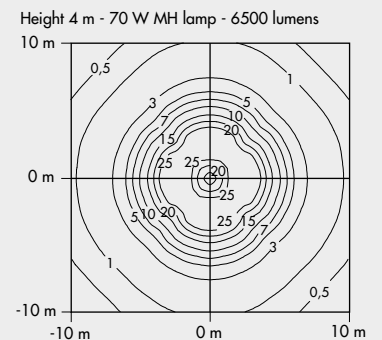
## Photometrics

Polar curves and illuminance contours measured in Lux for a luminaire at 0° elevation.

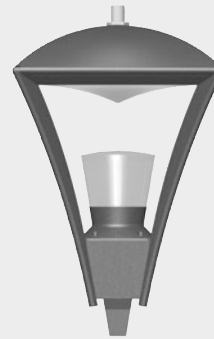
### CEN - RA



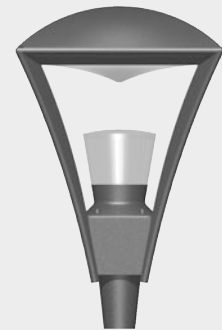
### CEN - RS



## Models



CEN - S



CEN - P